

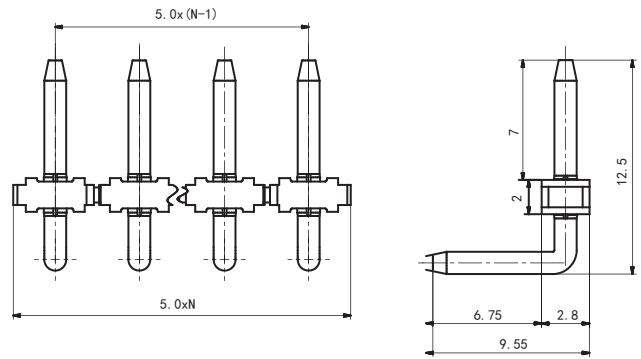
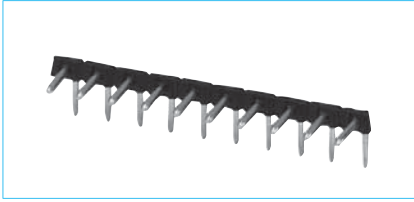
HFLS1H49-500

排针

产品图纸

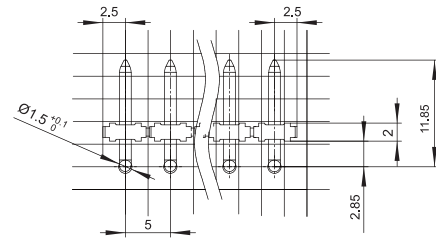
外形图、安装孔尺寸

单位：mm



特性

- 回流焊排针
- 与HFLS1H41-500配合使用
- 插拔方向与PCB垂直



技术参数

负载 16A 300V (UL标准)
12A 250V (IEC 标准)

极数 2~24

间距 5.00mm

额定耐受电压 2200Vac/min

额定耐受脉冲电压 4kV

环境温度 -40 C ~105 C

备注：(1) 产品部分外形尺寸未注尺寸公差，当外形尺寸 $\leq 1\text{mm}$ ，公差为 $\pm 0.2\text{mm}$ ；当外形尺寸在 $(1\sim 5)\text{mm}$ 之间时，公差为 $\pm 0.3\text{mm}$ ；当外形尺寸 $> 5\text{mm}$ ，公差为 $\pm 0.4\text{mm}$ ；
(2) 安装孔尺寸中未注尺寸公差为 $\pm 0.1\text{mm}$

订货数据

| 型号 | 极数N | 件/包 |
|---------------------|-----|-----|
| HFLS1H49-500/S2-BK | 2 | 500 |
| HFLS1H49-500/S3-BK | 3 | 340 |
| HFLS1H49-500/S4-BK | 4 | 250 |
| HFLS1H49-500/S5-BK | 5 | 200 |
| HFLS1H49-500/S6-BK | 6 | 170 |
| HFLS1H49-500/S7-BK | 7 | 150 |
| HFLS1H49-500/S8-BK | 8 | 130 |
| HFLS1H49-500/S9-BK | 9 | 120 |
| HFLS1H49-500/S10-BK | 10 | 100 |
| HFLS1H49-500/S11-BK | 11 | 90 |
| HFLS1H49-500/S12-BK | 12 | 90 |
| HFLS1H49-500/S13-BK | 13 | 80 |
| HFLS1H49-500/S14-BK | 14 | 70 |
| HFLS1H49-500/S15-BK | 15 | 70 |
| HFLS1H49-500/S16-BK | 16 | 60 |
| HFLS1H49-500/S17-BK | 17 | 60 |
| HFLS1H49-500/S18-BK | 18 | 60 |
| HFLS1H49-500/S19-BK | 19 | 50 |
| HFLS1H49-500/S20-BK | 20 | 50 |
| HFLS1H49-500/S21-BK | 21 | 50 |
| HFLS1H49-500/S22-BK | 22 | 50 |
| HFLS1H49-500/S23-BK | 23 | 50 |
| HFLS1H49-500/S24-BK | 24 | 40 |

声明：

本产品规格书仅供客户使用时参考。若有更改，恕不另行通知。

对宏发而言，不可能评定产品在每个具体应用领域的所有性能参数要求，因而客户应根据具体的使用条件选择与之相匹配的产品，如有疑问，请与宏发联系以便获取更多的技术支持。但产品选型责任仅由客户负责。

© 厦门宏发电声股份有限公司版权所有，本公司保留所有权利